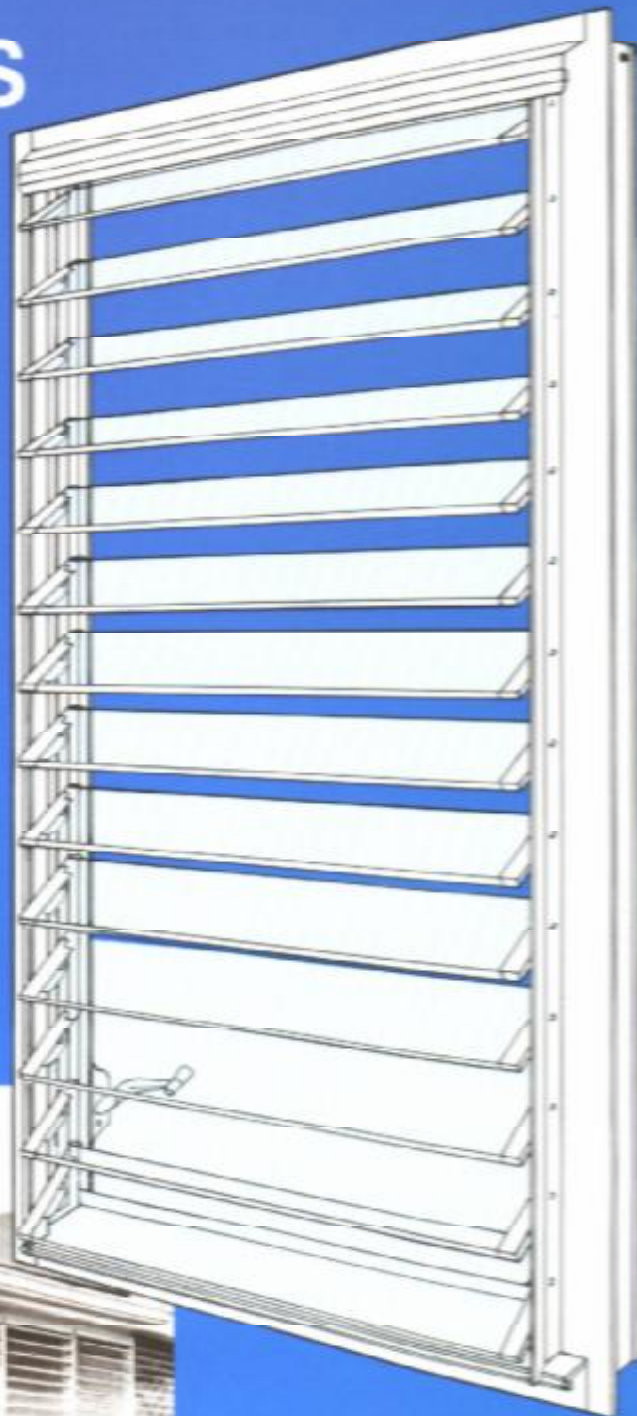


# TAFCO JALOUSIES

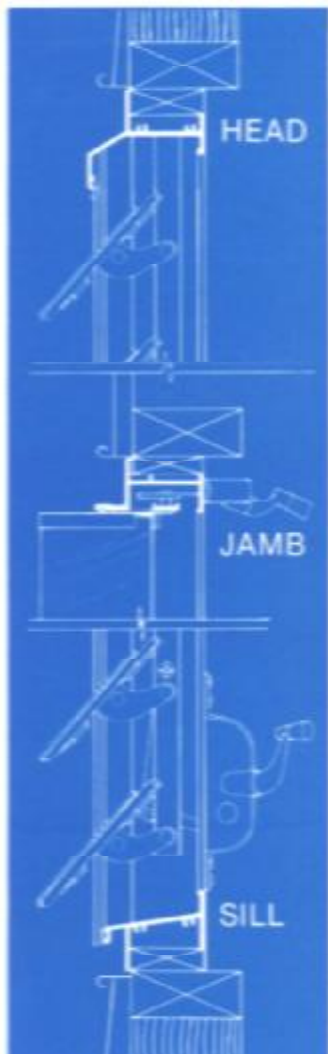
## Harmony in Glass & Aluminum

TAFCO Jalousie windows are masterfully engineered to provide the slim profile that elegantly compliments both modern and traditional styles of architecture. Careful attention has been given to each feature of these windows to insure that your windows are the finest, most maintenance-free jalousies available.

Built for each TAFCO jalousie window is a deluxe, accurately fitted, recessed insect screen. The TAFCO storm sash is equally engineered for excellence and can quickly and easily replace the screen panels for winter weather protection.

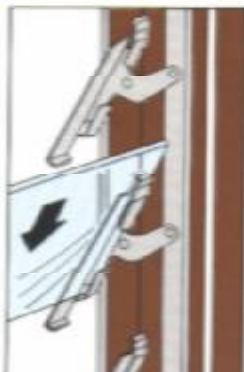


# TAFCO JALOUSIE Windows are Tailor-made for Ventilation and Light.



## FEATURES

- Louvers open up to 110° angle. Now you can open jalousies past the half-way mark and actually angle the jalousie louvers so that they scoop in every bit of cool, fresh air that is headed your way.
- Indirect ventilation. Angled glass louvers slanting downward break up direct air currents allowing only soft fresh air to enter.
- Finished aluminum frames cannot rust or rot and stay clean and bright year after year.
- 100% weatherstripped.
- Perfect for homes where large window areas are desired.
- Interchangeable screen and storm sash from the inside.
- Windows can be washed from the inside.
- Slanted louvers deflect rain, keeping the inside of your home dry.
- Wide 4" glass louvers.



Install glass from inside of window



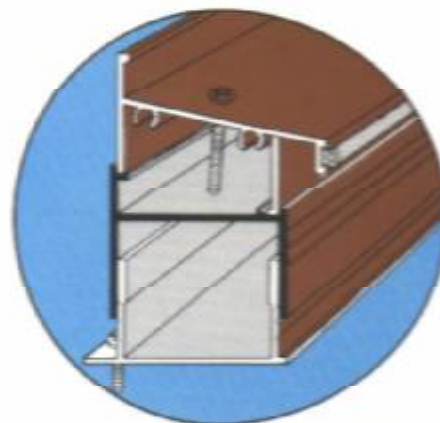
Two pieces of glass act as spacers during installation.



Brick fin allows for installation of window in masonry construction — four positions.



Mullion joins two windows side by side causing outside flanges to touch each other creating a flush interior. Mullion does not add to overall dimension of windows.



Set of Expanders with peel lines allows for expansion from 0" to 2 1/2".

## JALOUSIE WINDOW INSTALLATION

- Windows must not be forced in openings.
- Jambs must be set plumb.
- Install two pieces of glass in window at 1/2 points (glass is installed from inside of window). These two glass panels act as spacers to maintain proper width during installation.
- Install window in opening through holes provided on sides of jambs.
- Measure diagonal dimensions to insure frame is square. Measure width (three points: top, bottom, and middle) where screen is installed to insure jambs are not toed in or out. Measurements must be equal.
- Installation should be made through holes provided on sides of jambs. DO NOT install through 1/2" caulking flange.
- Do not cover caulking flange with siding.